



CITY OF IOWA CITY

410 East Washington Street
 Iowa City, Iowa 52240-1826
 (319) 356-5000
 (319) 356-5009 FAX
 www.icgov.org

Addendum Number 1

**Request for Bid #21-242,
 Purchase and Delivery of Three (3) Glass Recycling Roll-off Containers**

Purchasing Division, City of Iowa City, Iowa
 Date of Addendum: April 22, 2021

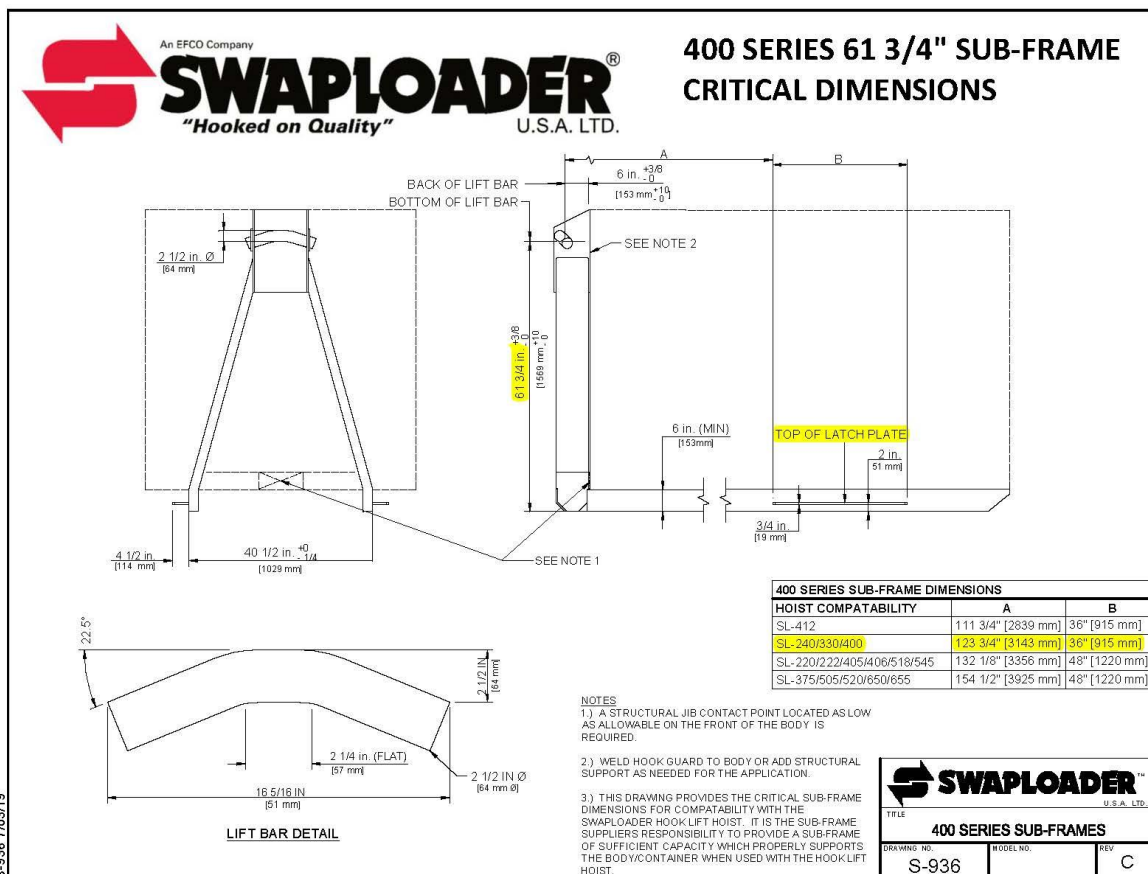
This Addendum to Request for Bid #21-242 is being issued to answer questions asked of this Request for Bid document.

Request for Bid #21-242 is hereby amended to publish question received:

Question and Answer -

1. Can you verify the hook height? 54 inches or 61 ¾ inches?

The distance from the bottom of the lift bar to the bottom of the long sills is 61 ¾ inches. See picture below.



S-936 7/03/19

Addendum Number 1 is hereby incorporated and made a part of Request for Bid #21-242, Purchase and Delivery of Three (3) Glass Recycling Roll-off Containers.

Vendors must fill out the Addendum section on the final page of the RFB document to acknowledge receipt of this addendum. Failure to complete the addendum section acknowledging receipt with the submitted proposal may constitute grounds for rejection of the vendor's bid.

Trina Surratt
Buyer I