



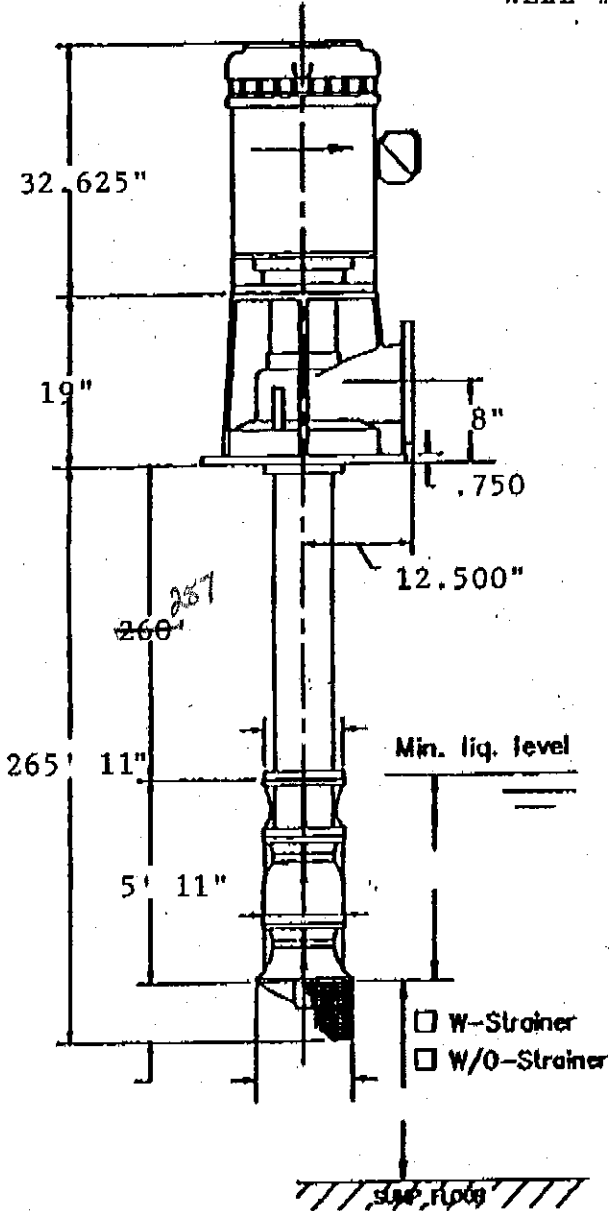
VTP VERTICAL PUMPS

Taneytown Business Unit

VTP/QL-B
Sheet 4401
January, 1994
First Edition

Ingersoll-Dresser Pumps

TYPE 'W' STANDARD WELL #SW 4



MOTOR

40 H.P. Vertical Hollow Shaft
 1800 R.P.M. 3 Phase 6 Cycle 460 Volts
 Enclosure Mfg. U.S.

DISCHARGE HEAD - TYPE W

6 W. 12 Discharge Head
 Discharge flange matches 125# ANSI dimensions
 (flange holes straddle vertical centerline)
 Shaft Seal: Packed Box Oil Lube
 24" Square Separate Baseplate, .750" Thickness

COLUMN

Flanged Threaded Column Pipe
 6" Diameter Open Enclosed Lineshaft
 NA" Diameter Enclosing Tube (Enclosed Lineshaft Only)

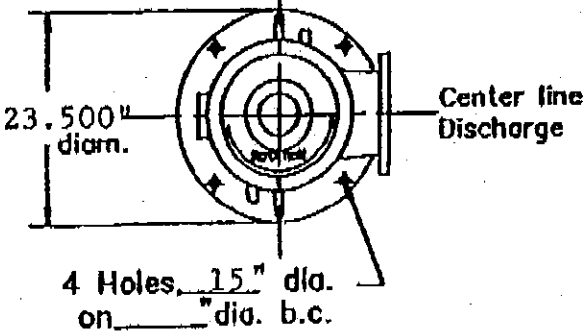
PUMP

7 Stage 10L30 Bowl Assembly With
 Enclosed Semi-Open Open Impeller
 300 USGPM 334 Ft. Total Head
 Strainer: Yes No Type

*Modified this pump to 300gpm @ 365
 MATERIALS changed 4 impellers*

Bowls Std. Column Pipe A53-GRB
 Impellers Brz. Enclg. Tube NA
 Pump Shaft S.S. Brg. Retainer Brz.
 Bowl Brgs. Std. Lineshaft Brgs. Neo
 Strainer NA Lineshaft C1045 1 3/16"
 Head Cast Iron Lineshaft Stv. S.S.

Approximate Shipping Weight = _____ lbs



TOP VIEW

TYPICAL DIMENSIONS - NOT FOR CONSTRUCTION

© 1994 Ingersoll-Dresser Pumps
Printed in U.S.A.

CUSTOMER: NORTHWAY

S/N: 9707NG002320C

CERTIFIED PERFORMANCE CURVE

BY: *Michael J. Hansen*

DESIGN CONDITIONS

GR: 300 RPM: 1770

IMPT: 351 SG: 1.0

DRIVER HP: 40



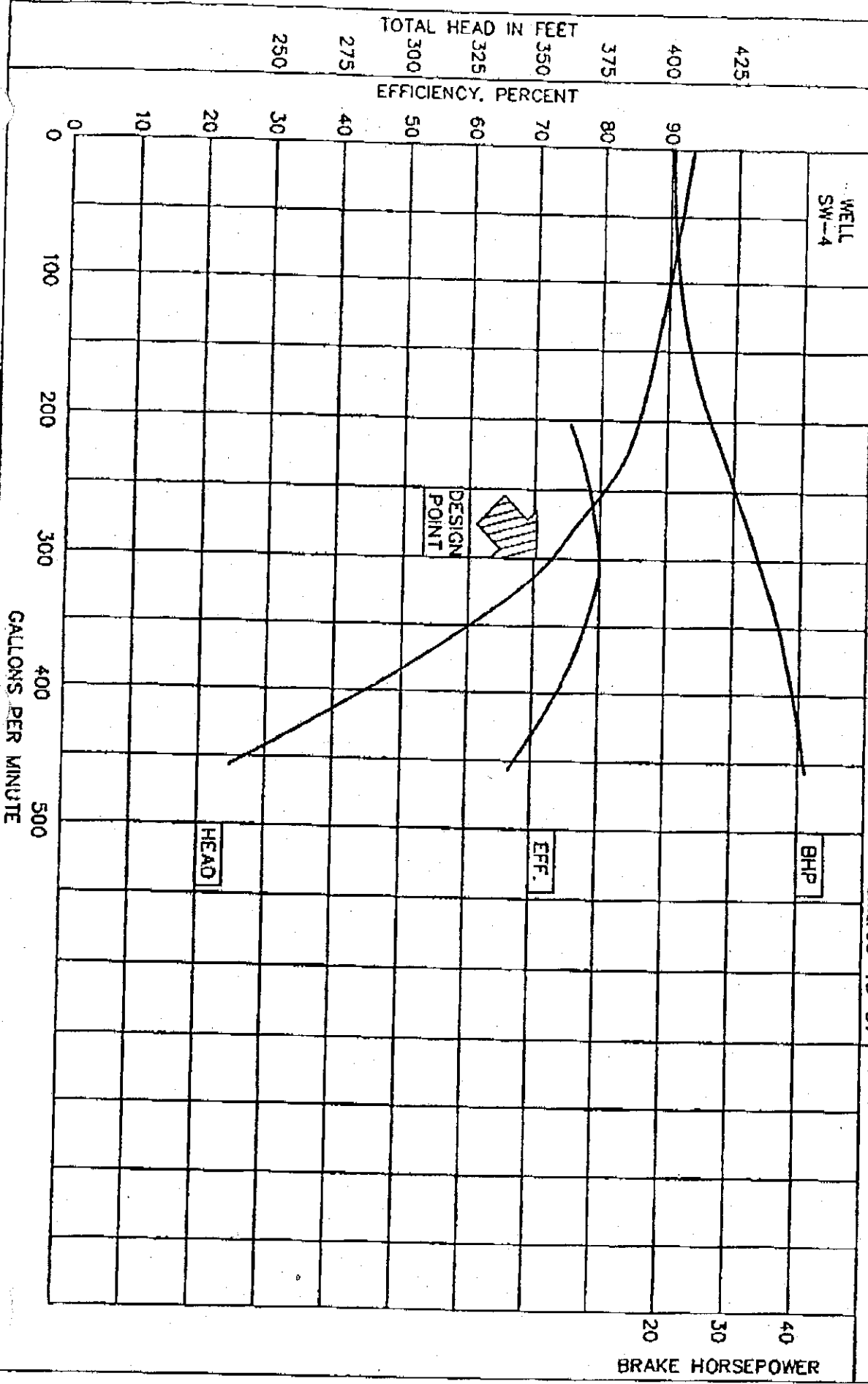
Ingersoll-Dresser Pumps

DRAWN BY: M. HANSEN DATE: 08-13-97

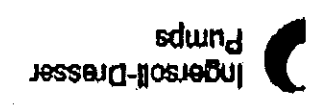
CURVE: 101B11

PUMP: 10L30 7.38 7 STG

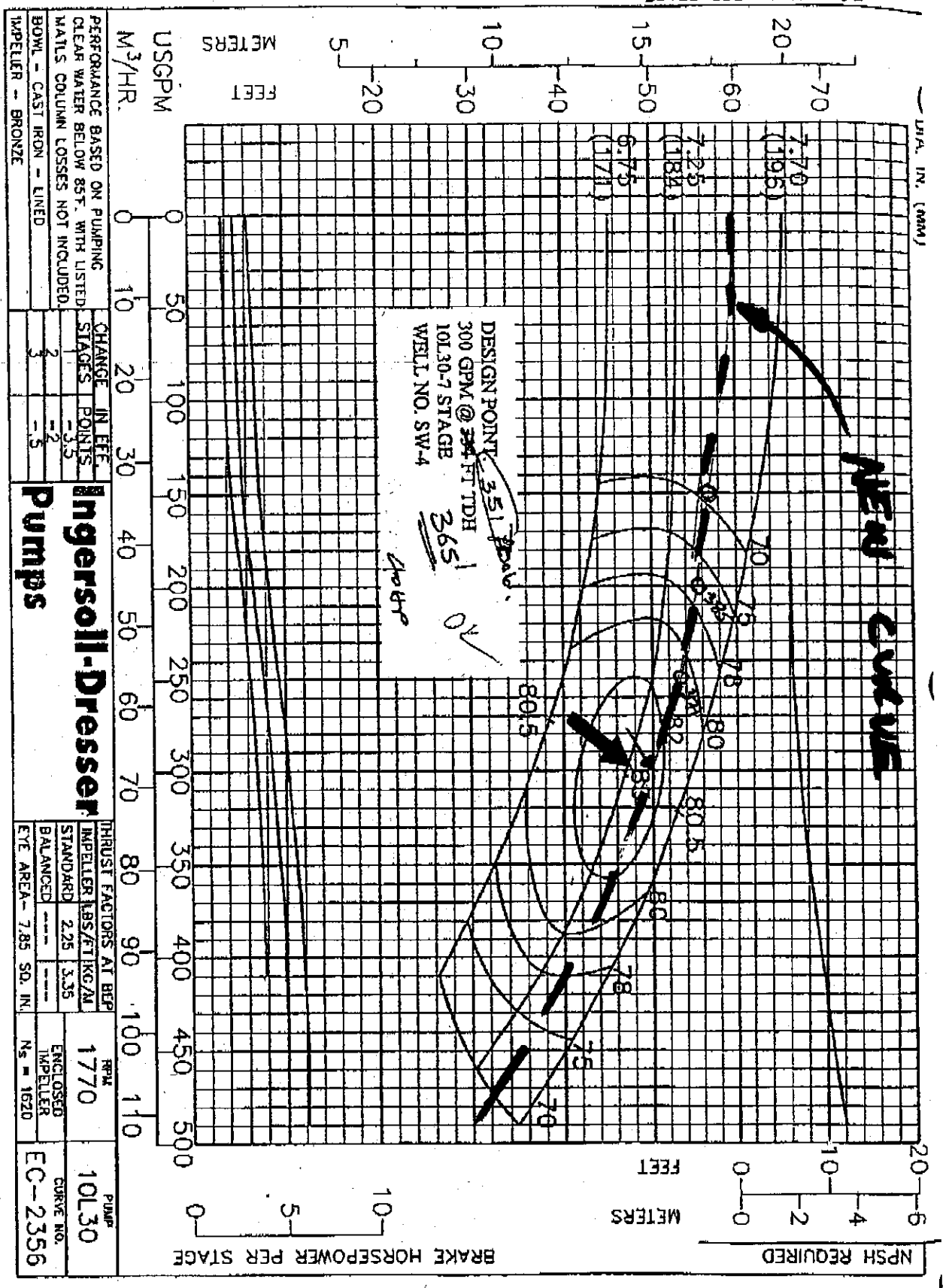
Output and efficiency curves are provided for one set of conditions. Output is based on efficiency quantities are based on total head and flow. The flow rate is based on a temperature of not over 80 degrees and not over 12 feet of water. etc.



This pump modified to pump 300 gpm @ 365 ft, Total Head on 9/28/97



SW-4



PERFORMANCE BASED ON PUMPING CLEAR WATER BELOW 85 FT. WITH LISTED MATLS COLUMN LOSSES NOT INCLUDED.	CHANGE IN EFF. POINTS
BOWL - CAST IRON - LINED	3
IMPELLER - BRONZE	-2
	-5

THRUST FACTORS AT BEP	REPL	PUMP
IMPELLER LBS/FT/KG/M	1770	10L30
STANDARD	2.25	3.35
BALANCED		
EYE AREA - 7.85 SQ. IN.	N _s = 1620	EC-2356

Ingersoll-Dresser Pumps

THRUST FACTORS AT BEP	REPL	PUMP
IMPELLER LBS/FT/KG/M	1770	10L30
STANDARD	2.25	3.35
BALANCED		
EYE AREA - 7.85 SQ. IN.	N _s = 1620	EC-2356

THRUST FACTORS AT BEP	REPL	PUMP
IMPELLER LBS/FT/KG/M	1770	10L30
STANDARD	2.25	3.35
BALANCED		
EYE AREA - 7.85 SQ. IN.	N _s = 1620	EC-2356

V.S.T. Ingersoll-Dresser Pump Company
 Printed in U.S.A.

319-327-6339
 800-397-6339
 319-327-8186