



Ingersoll-Dresser Pumps

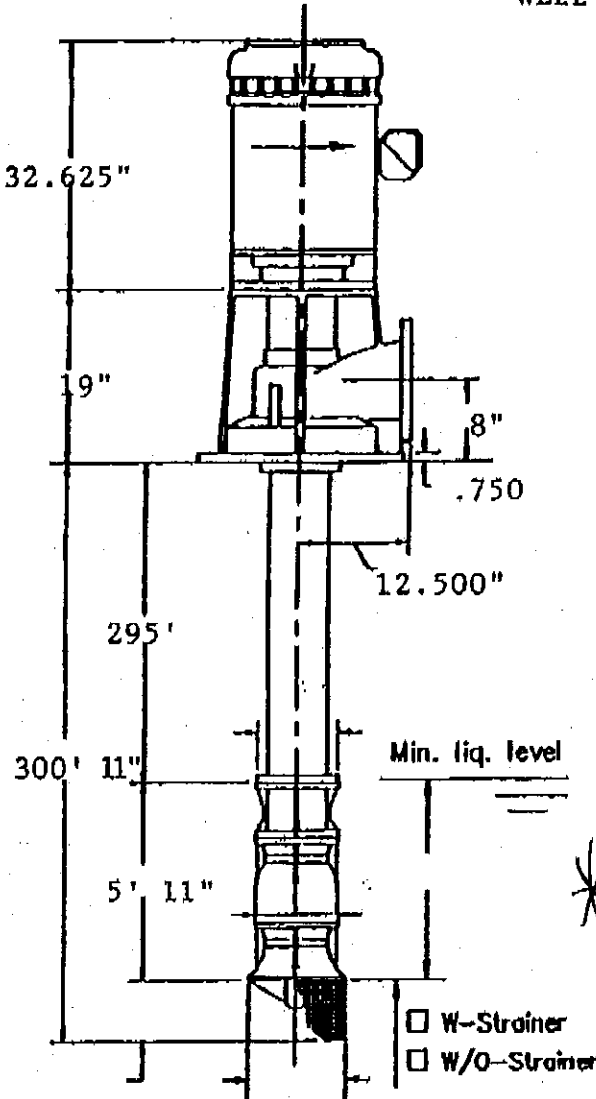
VTP VERTICAL PUMPS

Taneytown Business Unit

VTP/QL-B
Sheet 4401
January, 1994
First Edition

TYPE 'W' STANDARD

WELL #SW 3



MOTOR

40 H.P. Vertical Hollow Shaft
 1800 R.P.M. 3 Phase 6 Cycle 460 Volts
 WPI Enclosure Mfg. U.S.

DISCHARGE HEAD - TYPE W

6 W- 12 Discharge Head
 Discharge flange matches 125# ANSI dimensions
 (flange holes straddle vertical centerline)
 Shaft Seal: Packed Box Oil Lube
 24" Square Separate Baseplate .750" Thickness

COLUMN

Flanged Threaded Column Pipe
 6" Diameter Open Enclosed Lineshaft
 NA" Diameter Enclosing Tube (Enclosed Lineshaft Only)

PUMP

7 Stage 10L30 Bowl Assembly With
 Enclosed Semi-Open Open Impeller
 300 USGPM 334 Ft. Total Head *New*
 Strainer: Yes No *Type Design 300 at 432*

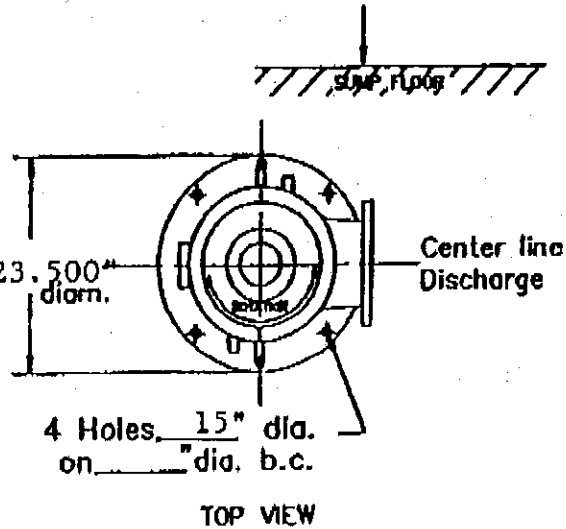
** modified this pump to 9 stage*

MATERIALS

Bowls Std. Column Pipe A53-GRB
 Impellers Brz. Enclg. Tube NA
 Pump Shaft S.S. Brg. Retainer Brz.
 Bowl Brgs. Std. Lineshaft Brgs. Neo
 Strainer NA Lineshaft C1045 1 3/16"
 Head Cast Iron Lineshaft Slv. S.S.

Approximate Shipping Weight = _____ lbs

TYPICAL DIMENSIONS - NOT FOR CONSTRUCTION



© 1994 Ingersoll-Dresser Pumps
 Printed in U.S.A.

CUSTOMER: NORTHWAY

S/N: 9707NG002320B

DESIGN CONDITIONS

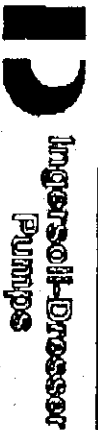
GEN: 300 R.P.M. 1770

CERTIFIED PERFORMANCE CURVE

TRK(7): 351

S.G.: 1.0

DRIVER HP: 40

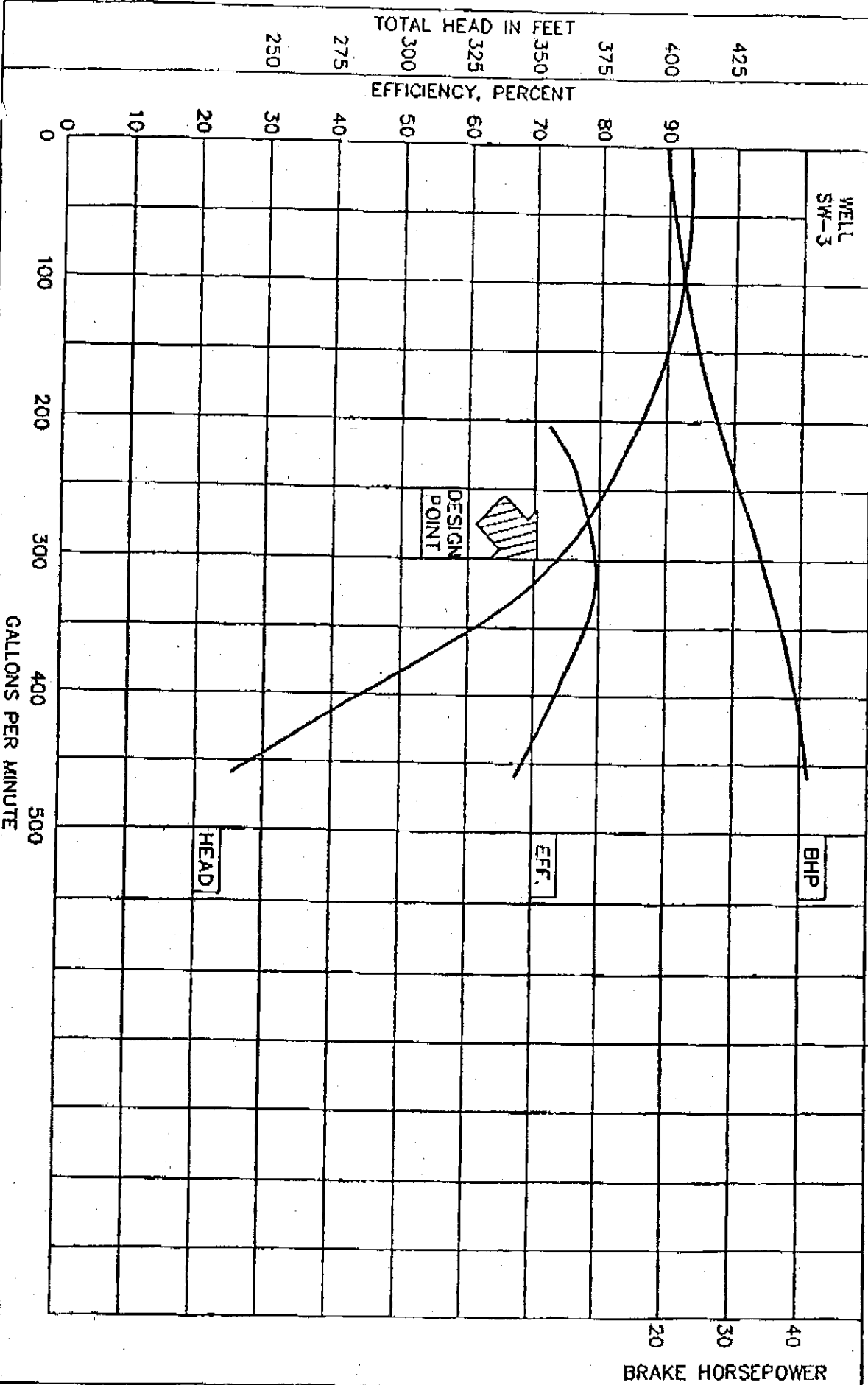


DRAWN BY: M. HANSEN DATE: 08-07-97

CURVE: 10LB109

PUMP: 10L30 7.38 7 STG

Caution: This equipment is designed for use only at the rated capacity. Excessive head and efficiency operations are based on the rated head and efficiency. The pump is not to be operated at a temperature of inlet water 80 degrees and not over 15 feet of suction lift.



NOTE: This pump modified to pump 300gpm at 432' Total Head 9/93