



Ingersoll-Dresser Pumps

VTP VERTICAL PUMPS

Taneytown Business Unit

original

VTP/QL-B
Sheet 4401
January, 1994
First Edition

TYPE 'W' STANDARD WELL # SW 2

MOTOR

| | | |
|-------------|-----------|-----------------------|
| 40 | H.P. | Vertical Hollow Shaft |
| 1800 R.P.M. | 3 Phase | 6 Cycle 460 Volts |
| WPI | Enclosure | Mfg. U.S. |

DISCHARGE HEAD - TYPE W

6 W- 12 Discharge Head
 Discharge flange matches 125# ANSI dimensions
 (flange holes straddle vertical centerline)
 Shaft Seal: Packed Box Oil Lube
 24" Square Separate Baseplate .750" Thickness

COLUMN

Flanged Threaded Column Pipe
 6" Diameter Open Enclosed Lineshaft
 NA" Diameter Enclosing Tube (Enclosed Lineshaft Only)

PUMP

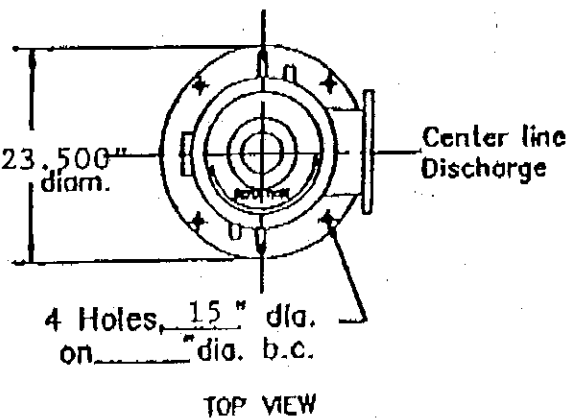
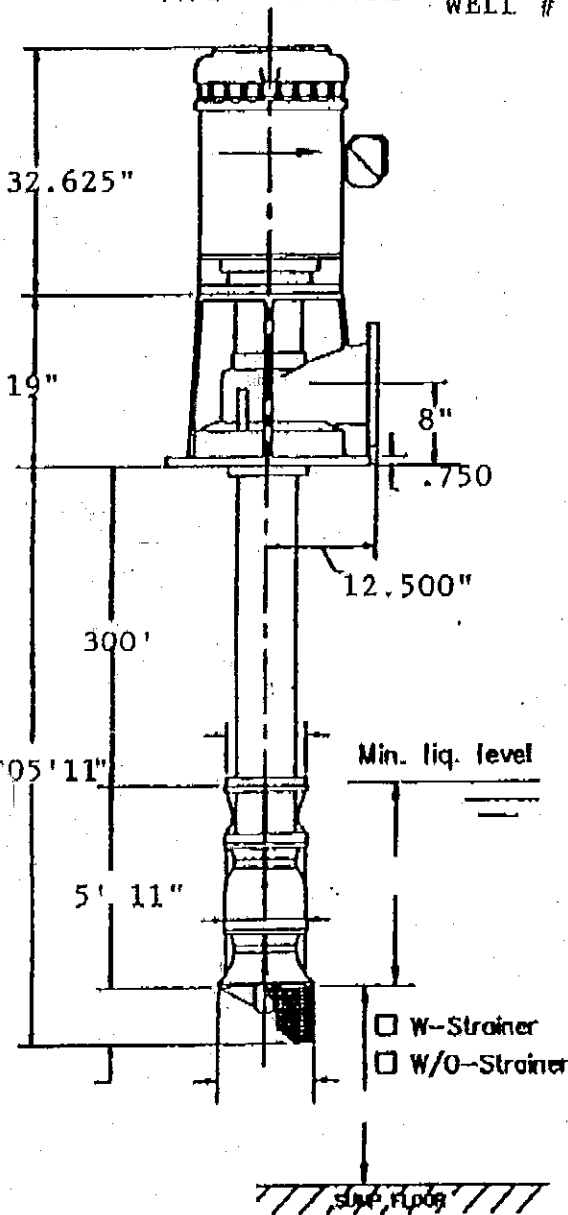
7 Stage 10130 Bowl Assembly With
 Enclosed Semi-Open Open Impeller
 300 USGPM 334 Ft. Total Head
 Strainer: Yes No Type _____

MATERIALS

| | |
|-----------------|-------------------------|
| Bowls STD. | Column Pipe A53-GRB |
| Impellers BRZ. | Enclsg. Tube NA |
| Pump Shaft S.S. | Brg. Retainer BRZ. |
| Bowl Brgs. STD. | Lineshaft Brgs. Neo |
| Strainer NA | Lineshaft C1045 1 3/16" |
| Head Cast Iron | Lineshaft Slv. S.S. |

Approximate Shipping Weight = _____ lbs

TYPICAL DIMENSIONS - NOT FOR CONSTRUCTION



Printed in U.S.A.

Northway Well and Pump Co.

4895 8th Avenue
Marion, Iowa 52302

*After Pump
rebuild*

PUMP REPORT

CUSTOMER Water Works, Iowa City, Iowa WELL NO. SW2 DATE 8-9-06

WELL DEPTH 415' WELL TOP SIZE 24" SIZE OF CASING 12"

GPM 180 STATIC LEVEL 132' PUMPING LEVEL 210'

CONTROL

15 minute run @ 80 PSI
pumping waste

MAKE Square D SIZE 3 MODEL 8536

CABLE SIZE _____ LENGTH _____ BREAKER SIZE 100

MOTOR

MAKE US H.P. 40 VOLT 460 RPM 1780

TYPE Rus PHASE 3 CODE G FRAME 324 TPH

RING BASE 9 1/4 SERIAL A07A156RO16R-2

| | | | | |
|-------------|-----------------|-------------|------------|------------|
| RESISTANCE: | WIRE TO WIRE | <u>-0-</u> | <u>-0-</u> | <u>-0-</u> |
| | WIRE TO GROUND | <u>INF</u> | <u>INF</u> | <u>INF</u> |
| | RUNNING VOLTAGE | <u>463</u> | <u>466</u> | <u>466</u> |
| | RUNNING AMPS | <u>34</u> | <u>37</u> | <u>37</u> |
| | SPLICE | <u>Tape</u> | | |

PUMP

TURBINE X SUBMERSIBLE _____

DISCHARGE HEAD: MAKE IDP SIZE 6 x 6

TYPE WPI - 15 SERIAL _____

HEADSHAFT: DIA. 1 1/4 SS LENGTH 44"

LOWER SHAFT DRIVE 1 3/16" RS

COLUMN 6" Epoxy SHAFT 1 1/4 RS MATERIAL Carbon Steel

BOWL: MAKE IDP MODEL 10L30 STAGE 7

SIZE 10 IMP Brass MATERIAL Standard

STEP COUPLING 1 3/16 X 1 1/4 STRAINER No SUCTION DIA. 0

LENGTH _____ LONGEST LENGTH 10 TOTAL SETTING 297

GPM 180 TDH 405

REMARKS: Pulled pumping equipment for inspection. Installed new lineshafts and sleeves. 30 new lineshaft bearings, rebuilt bowl assembly. Install 4 column pipe centralizers and new draw down tubing. Airline is at 297 feet from discharge base and transducer is set at 296' 9" from discharge base.